



# One Million Mask Challenge

## How to Make a Face Shield

Here are the materials you need to create a face shield:

- **Vinyl:** 16 or 20 gauge marine grade vinyl
- **Foam:** 1"x1" (Cut down from larger sheets, if necessary)
- **Elastic:** Preference  $\frac{3}{8}$  to  $\frac{1}{2}$ " (Larger might require two staples per side)
- **Double-Sided Tape:** 1" industrial grade mounting tape (Gorilla or Scotch)

### Face Shield Instructions

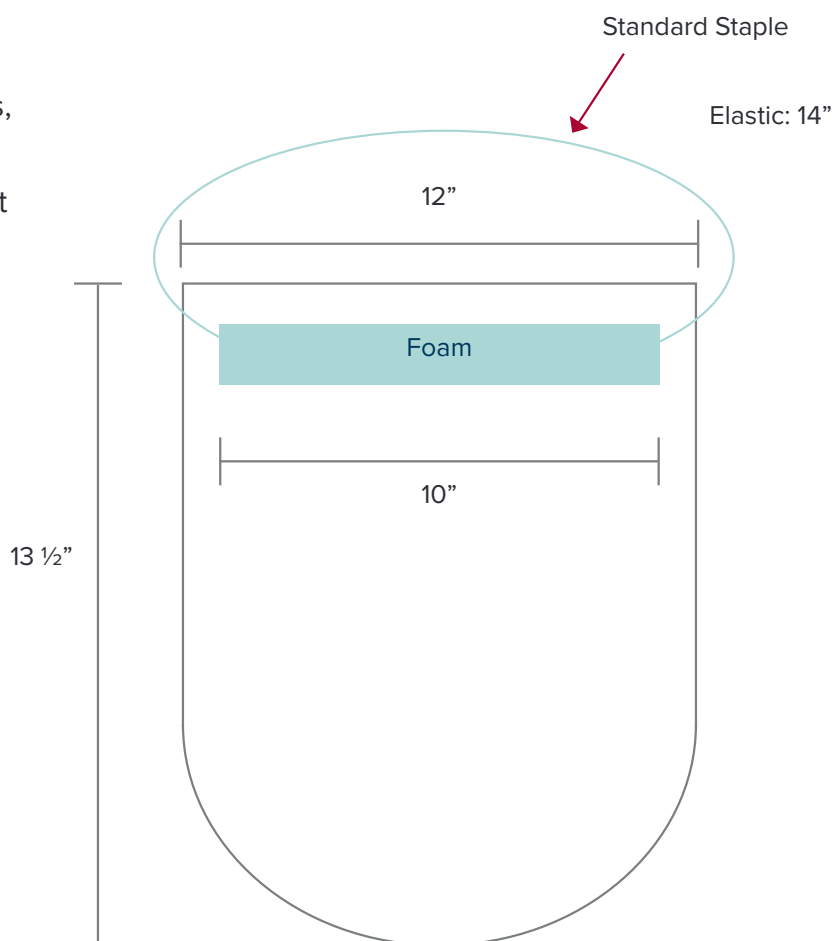
#### 1. Preparation

- **Elastic**
  - Cut into 14" lengths
- **Foam**
  - Cut into 10"x1" lengths
- **Vinyl**
  - Cut into 12"x54" strips
  - Cut into 12"x13  $\frac{1}{2}$ " rectangles
  - Shape using template

#### 2. Assembly

- Center and place a 10" length of mounting tape  $\frac{1}{2}$ " below top of shield
- Secure foam on mounting tape
- Secure elastic loop on either side of foam using standard stapler

### Diagram



Call (405) 271-1234 or email [giving@oumedicine.com](mailto:giving@oumedicine.com) with questions.



[www.OUMedicine.com/TheChallenge](http://www.OUMedicine.com/TheChallenge)